

Automations for Sliding Gates

series simply

SIMPLY, electromechanical motor-reducer, round shape, permanent lubrication, unblock by handle, mechanical limit switches, is available in two versions :
230 Vac (for sliding gates until 600 Kg) and
24 Vdc (for sliding gates until 350 Kg).

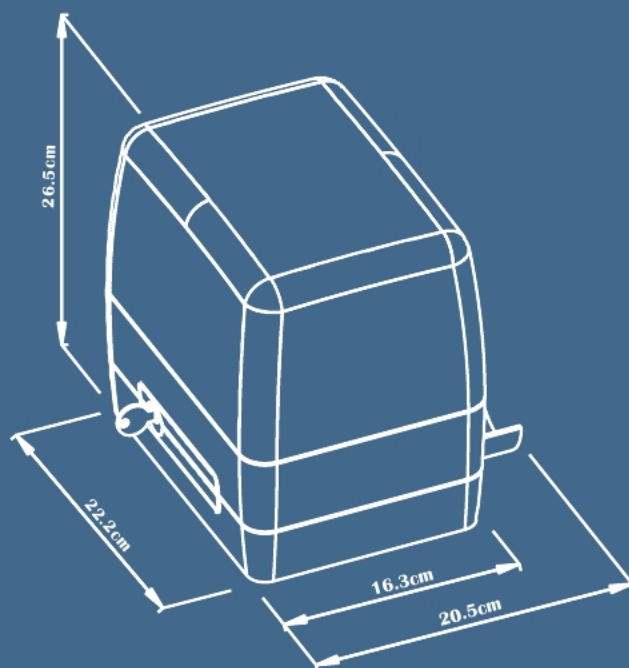
Electronic control unit can be placed inside and there is possibility to place a battery (optional) in 24 Vdc version



VDS
AUTOMATISMI
PER PORTE E CANCELLI

LINE OF ACTION
PERFECT PERFORMANCE

series simply



Automations for sliding gates

CODE	MODEL	DESCRIPTION
100010	SIMPLY	Motor-reducer 230 Vac
100011	SIMPLY-BT	Motor-reducer 24 Vdc

SPECIFICATIONS

	SIMPLY	SIMPLY-BT
Motor power supply	230 Vac	24 Vdc
Max. gate weight	500 Kg	500 Kg
Motor rpm	1400 rpm	2000 rpm
Pinion	M4-Z12	M4-Z12
Average consumption	1,3 A	3 A
Motor rating	250 W	50 W
Condenser	12,5 uF	-
Actuator weight	9 kg	9 kg
Noise level	< 30 dBA	< 30 dBA
Working temperature	-20/+55° C	-20/+55° C
Thermal cut-out	140° C	-
Limit switch	Elett.	Elett.
Frequency of use	50%	80%
Unladen weight	10 m/min	12 m/min
IP/rating	IP44	IP44

VDS
AUTOMATISMI
PER PORTE E CANCELLI

LINE OF ACTION
PERFECT PERFORMANCE