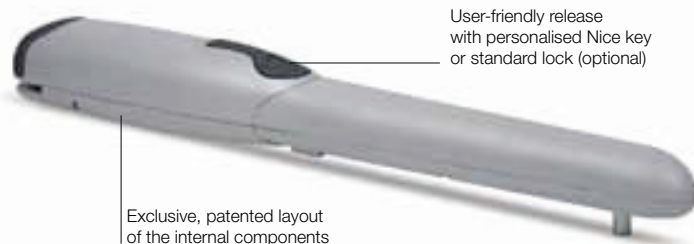


WG4024



User-friendly release with personalised Nice key or standard lock (optional)

Exclusive, patented layout of the internal components

The kit contains:

WG4024 1 surface-mounted electromechanical gear motors, with Nice key release and 1 fixing bracket kit

For swing gates with leaves up to 2 m, surface mounted.
24 Vdc electromechanical gear motor.

Reliable and silent: patented layout of internal parts, fewer moving parts.

Easy to install: after the gear motor has been assembled, all electrical connections are made from above.

User-friendly release with personalised Nice key or standard lock (optional).

Moonclever control unit MC424L:

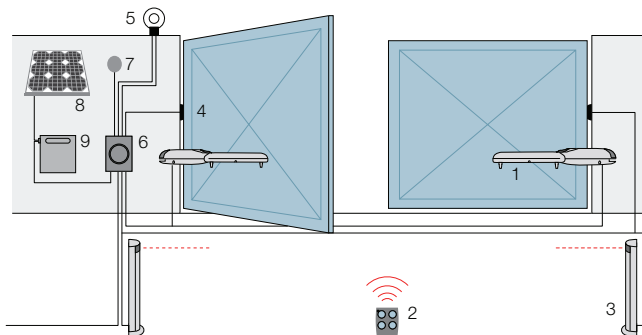
- simple programming, by means of a single key;
- clutch with anti-crush safety feature;
- automatic memorization of limit switches on opening and closing with self-learning function;
- programming of pause time;
- pedestrian pass door;
- deceleration on opening and closing;
- obstacle detection system;
- can be linked to the 8.2 KOhm resistive sensitive edge;
- continues to work even during power failures using optional (PS124) batteries that fit inside the control unit.

Technical specifications

| Code | WG4024 |
|-------------------------------------|-------------|
| Electrical data | |
| Power supply (Vdc) | 24 |
| Absorption (A) | 3.5 |
| Power (W) | 85 |
| Performance data | |
| Speed (m/s) | 0.018 |
| Force (N) | 1500 |
| Work cycle (cycles/hour) | 30 |
| Dimensional and general data | |
| Protection level (IP) | 44 |
| Working temp. (°C Min/Max) | -20 ÷ +50 |
| Dimensions (mm) | 770x98x95 h |
| Weight (kg) | 17 |



Installation diagram



1. Wingo 2. Transmitter 3. Photocells mounted on posts 4. Photocells 5. Flashing light 6. Control unit 7. Digital or key switches 8. SYP* solar panel 9. PSY24* battery box.
*Optional connection to Solemyo system.

Utilisation limits

